



Nu-Vista PRE & Nu-Vista PRE PSU

Fully balanced, discrete Class A Preamplifier with legendary Musical Fidelity Nu-Vista stage and separate Power Supply Unit

Nu-Vista PRE & PRE PSU In Brief

Amplifier

- Stereo fully balanced line pre-amplifier
- Low Noise Nu-Vista circuitry
- 8x 6S 51N Nuvistors in balanced buffer input circuit
- Volume control precision channel matching to less than 0.25dB
- Signal to noise ratio better than 120dB
- Channel separation better than 100dB 20Hz - 20kHz
- Frequency response 5Hz to 100kHz +0, -1dB
- THD 0.002%, 20Hz – 20kHz

In & Output

- 12 independent inputs (6x RCA & 6x XLR)
- Fully balanced circuitry on XLR inputs
- Switchable +6dB gain boost, uniquely remembered for each input
- High output 56Vrms (Balanced) 28Vrms (RCA)
- Low output Impedance less than 47 ohm

Features

- Dedicated external Nu-Vista PRE PSU
- Colour display with optional VU-Meters and clear selected input and volume display
- Dimmable display
- Nu-Vista Remote Control "Front panel in your hand"

MUSICAL FIDELITY

Based on our excellent Nu-Vista 800 circuit we decided to go all out “fully balanced” on the Nu-Vista range.

The Nu-Vista PRE features the tried and tested Nu-Vista stage featuring 6S51N nuvistors in a discrete class A amplifier buffer.

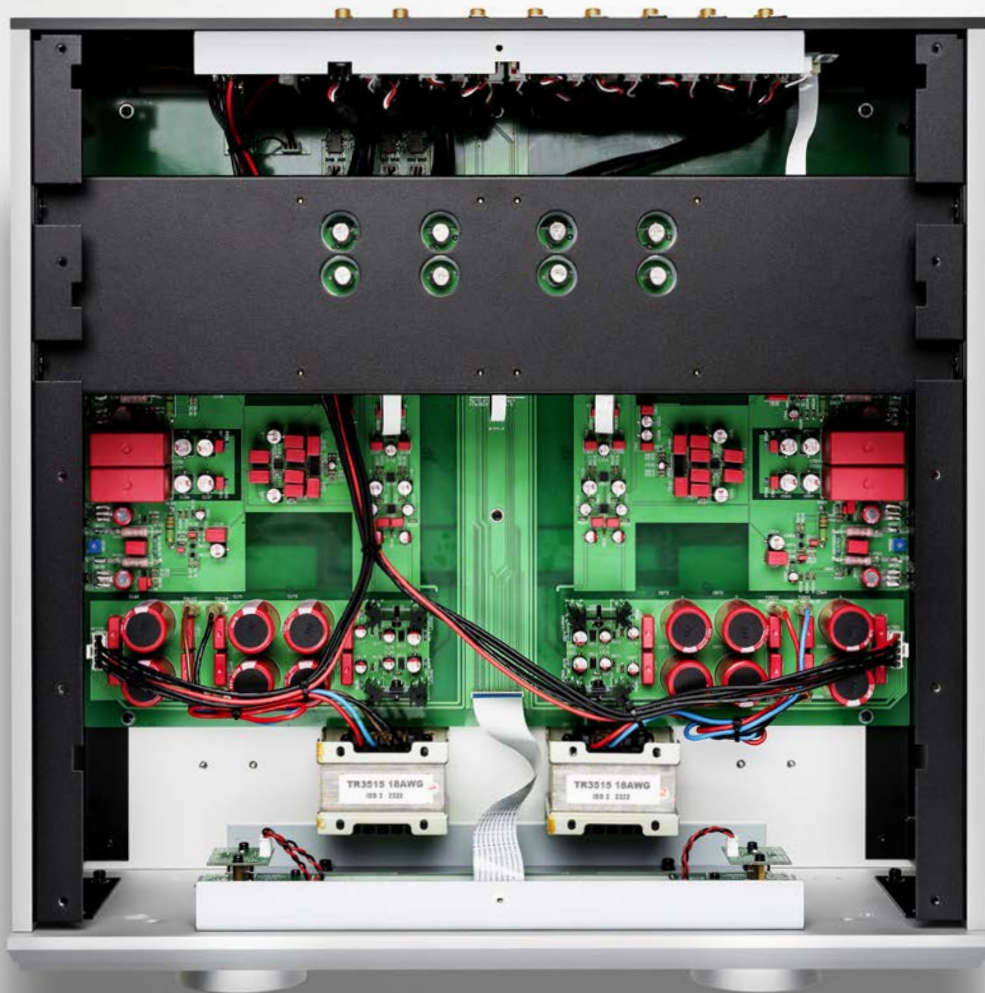
Technical Talk

The Nu-Vista PRE uses a balanced configuration circuit and balanced precision matched stepped attenuator for volume control. This means even at low volume levels, as well as higher, stereo imaging will be precise and accurate.

For driving strength, a pair of mini power amplifiers (equi-

valent to 50W) are used for the output stages. They run in Class A for preamp purposes, giving the best in line driving capability, dynamic range, as well as reduced noise and distortion inherently.

Supply capacitance is generous, and chokes are added for further improved supply ripple and pulse current spike reduction.



MUSICAL FIDELITY

Nu-Vista PRE PSU

The Nu-Vista PRE comes with its own dedicated external power supply.

To achieve better noise performance, we removed the AC mains power supply from the main unit and built it into another matching box. In this box we took advantage the extra space to set up inbuilt mains and output filtering.

This quiets up the supplies and results in almost no mains-borne artefacts getting into the sensitive audio circuitry.

The Power supply has ON/Standby LEDs and is controlled from the main unit front panel. If total mains isolation is required, the power supply also has rear mounted mechanical rocker switch for full power off.

Also included is the Nu-Vista remote control which is a solid "Nu-Vista" style re-imagination of usual remote controls. Machined from solid, it has the same feel as front panel of unit, has powerful beam, and runs off easily replaceable AAA Batteries.



MUSICAL FIDELITY



Heroic Build Quality

The Nu-Vista PRE's mechanical construction is uncompromisingly rigid and solid in typical Musical Fidelity tradition. Front panel and side panels are milled from extruded aluminium profiles and are extremely massive. The separate Nu-Vista PRE PSU houses all the transformers, which by na-

ture generate mechanical vibrations and radiate harmful electromagnetic fields. Here they are as far away as possible from the critical amplifier circuits. This significantly contributes to great signal to noise ratio. The Nu-Vista PRE is basically immune against the effects of vibration from the environment. The same can be said about electro mag-

netic immunity. The massive aluminium case acts as a Faraday cage. It protects the internals against outer electromagnetic fields, and in the same way, the rest of your hi-fi gear against electromagnetic fields generated by the Nu-Vista PRE & PRE PSU.





The Legendary Nu-Vista Stage

Never before in the history of hi-fi have Nuvistor tubes been coupled with state-of-the-art fully balanced and discrete technology and sophisticated modern design techniques. The Nu-Vista PRE & Nu-Vista PRE PSU's technical performances are astonishing. They measure like a dream but, more importantly, sound incredible. Silky smooth with enormous transients and an effortless feel that is at once relaxing and involving. Of special note how they project images between the loudspeakers so that you can almost touch them.

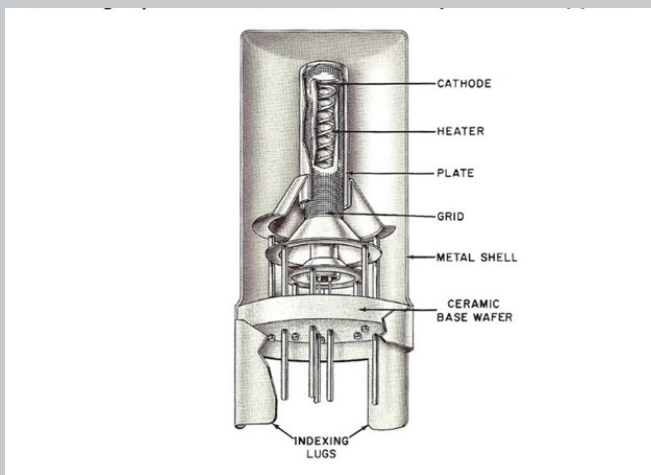
The new Nu-Vista PRE and its PSU were a continued labour of love for Musical Fidelity. We are passionate about what we do and passionate about Nuvistor tubes as we have always been. We hope that you derive as much pleasure listening to the Nu-Vista PRE as we had creating it.





Nuvistor tubes

Nuvistor tubes were invented in the 1950s to solve the many shortcomings of conventional tubes. Unlike them, Nuvistor tubes offer very high reliability, low microphony, low noise, consistency from batch to batch, small size, relatively low power consumption and great technical performance.



One famous application was in the Ampex MR-70, a costly studio tape recorder whose entire electronics section was based on nuvistors. Another limited application of this very small tube was in studio-grade microphones from that era, the AKG/Norelco C12a, which employed the 7586, being a good example.

It was also later found in the famed Neumann U 47 studio microphone. This microphone was highly regarded by artists all over the world, and was used by many top recording artists such as Frank Sinatra, The Beatles, and so on. Remarkably, you can currently see a U47 microphone, with its stand, cables and power supply on eBay for \$10.999 „Buy-it-now“.

Unfortunately just as uses for Nuvistor tubes were being explored, the transistor was invented and it was 'game over' for Nuvistors. There the matter rested until about fifteen years ago, when Musical Fidelity created the first of its ground-breaking Nu-Vista series. These legendary, limited-edition products sold out in a matter of months. Today, fifteen years later, they command very high secondhand prices because of their beautiful sound, build quality, and longevity.

MUSICAL FIDELITY



Specifications

Pre-Amplifier

- Output voltage: 28Vrms
- Output current: 1A peak to peak
- Output impedance: <math><47\Omega</math>
- THD+N: <math><0.002\%</math> typical, 20Hz to 20 kHz
- Signal / noise ratio: >120dB, 20Hz - 20kHz
- Gain: 2.15x (normal); 4.3x (+6dB enabled); volume maximum
- Input impedance: 100 K Ohms
- Overload margin: 24dB
- Channel separation: >100dB, 20Hz - 20kHz
- Frequency response: +0, -1 dB, 5Hz to 100kHz

In & Output

- 12 independent inputs: 6x RCA & 6x XLR
- Variable Pre output: 1x RCA & 1x XLR
- Fixed output: 1x RCA & 1x XLR
- Trigger input and output: 3.5mm mono jack socket
- Trigger level $\pm 5V$ to $\pm 12V$

General Information

- Remote Control included
- Weight PRE: 22kg net (30kg)
- Weight PRE PSU: 25kg net (34kg)
- Dimensions PRE (WxHxD): 483 x 187,5 x 491 (506 with connectors)
- Dimensions PRE PSU (WxHxD): 483 x 187,5 x 475 (478 with connectors)
- Mains voltages: 115/230VAC 50/60Hz (factory pre-set); 100VAC 50/60Hz (alternative)
- Consumption <math><0.5W</math> in standby mode; 65W maximum